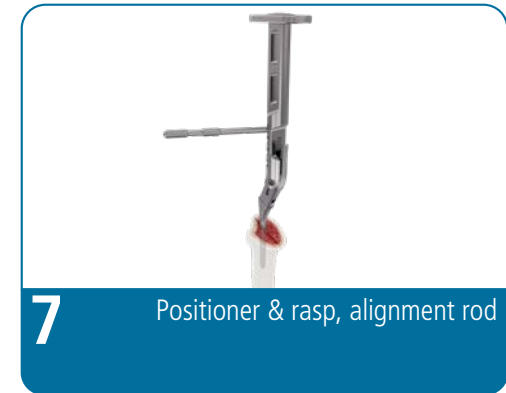
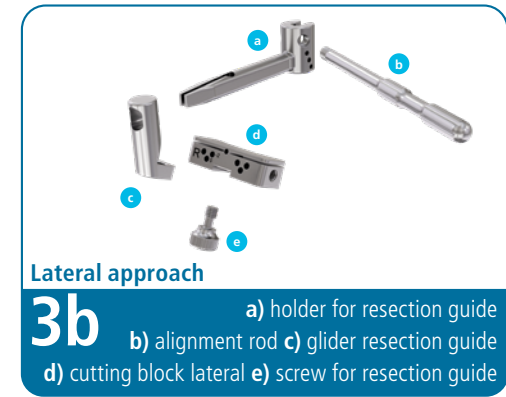
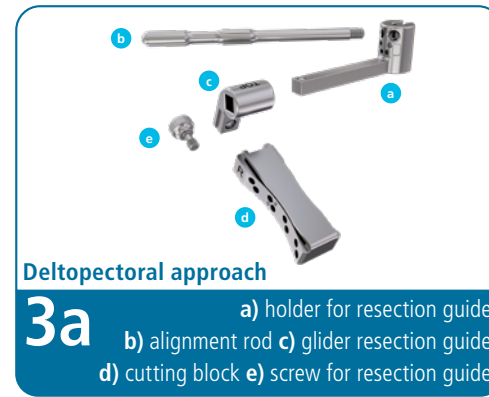
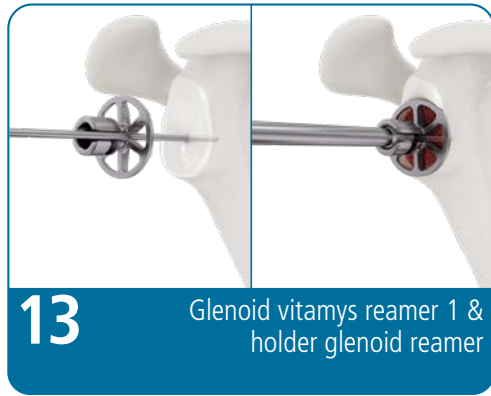


# Affinis Inverse Metaglène DP

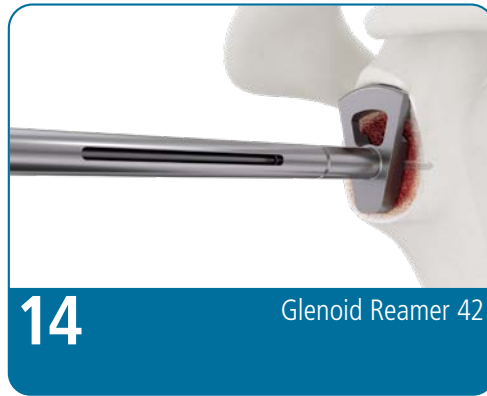
Instructions for technical surgical assistance



# Affinis Inverse Metaglene DP



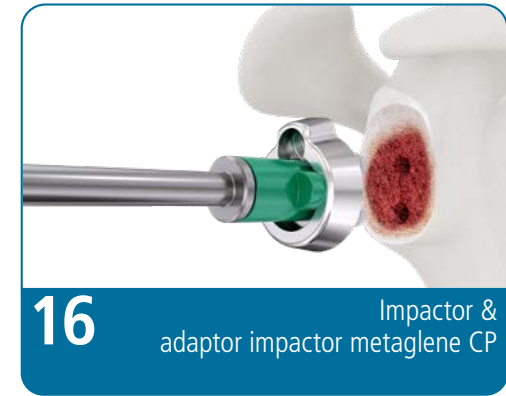
**13** Glenoid vitamys reamer 1 & holder glenoid reamer



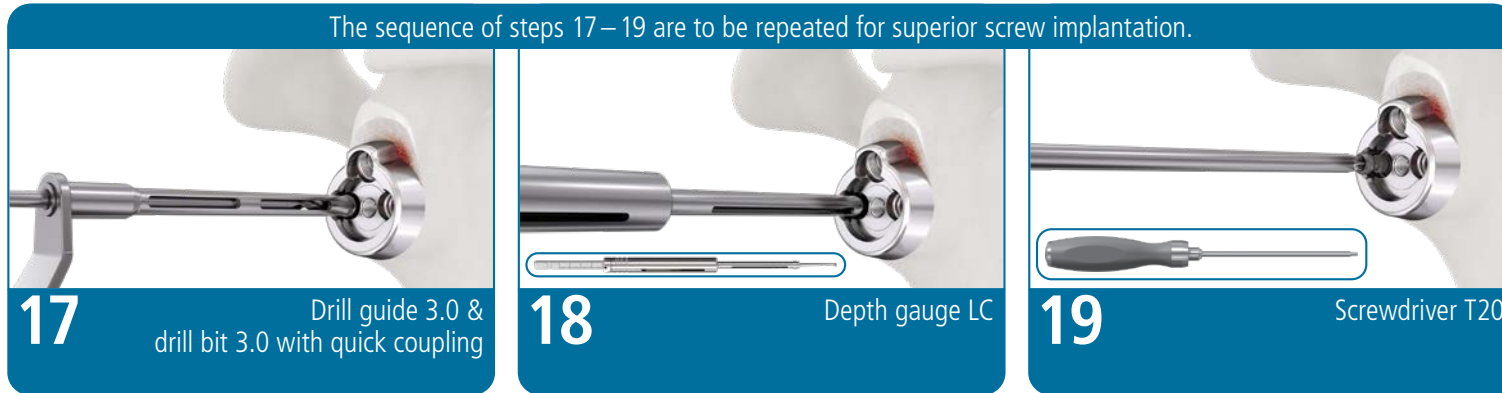
**14** Glenoid Reamer 42



**15** Metaglene drill & metaglene drill-guide left/ right, fixation peg



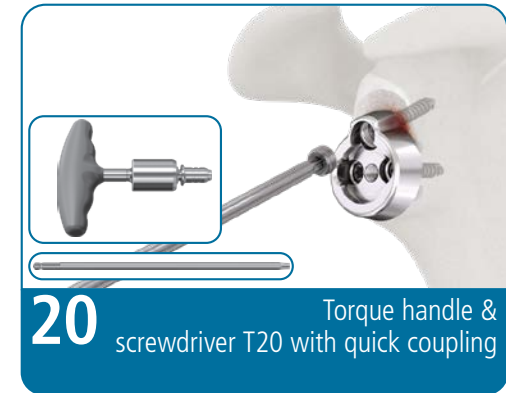
**16** Impactor & adaptor impactor metaglene CP



**17** Drill guide 3.0 & drill bit 3.0 with quick coupling

**18** Depth gauge LC

**19** Screwdriver T20



**20** Torque handle & screwdriver T20 with quick coupling



**21** Optional: Trial inlay



**22** Optional: Trial glenosphere, screwdriver 3.5



**23** Assembly rod & assembly rod holder, glenosphere pusher



**24** Screwdriver 3.5



**25** Impactor & adaptor impactor inlay